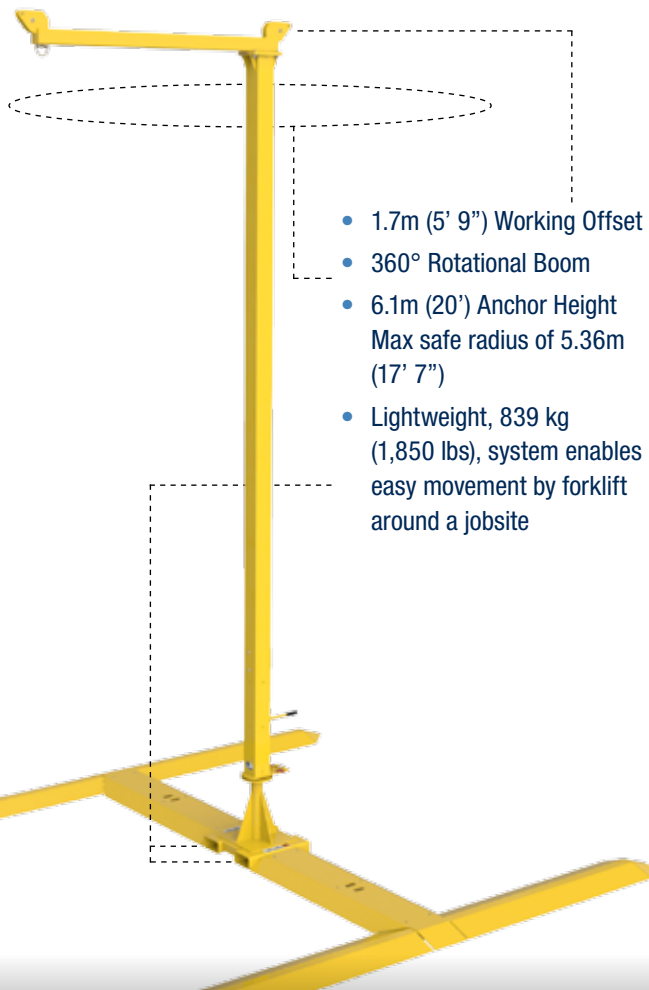


ANCHORED ABOVE. STABLE BELOW. SAFE IN-BETWEEN.

An industry that is constantly in motion, those in transportation know that accessibility is vital. The new Flexiguard™ SafRig™ replaces the need for expensive, fixed overhead anchor systems and counterweights.



- 1.7m (5' 9") Working Offset
- 360° Rotational Boom
- 6.1m (20') Anchor Height
Max safe radius of 5.36m (17' 7")
- Lightweight, 839 kg (1,850 lbs), system enables easy movement by forklift around a jobsite



Does not require the weight of a vehicle as the anchoring force, allowing tremendous flexibility in positioning SafRig™ virtually anywhere around the vehicle



Smaller frame allows trucks to be parked side-by-side during use

SAFRIG™ SYSTEM WITH OUTRIGGER BASE 8560015

Drive-over design allows for close positioning of the offset arm to vehicle(s)

- **Base**
4.56m (15') x 4.56m (15')
- **Anchor Height**
6.1m (20')
- **Anchor Offset from Mast**
1.7m (5' 9")
- **Maximum Safe Working Radius**
5.36m (17' 7")
- **Approved System Standards**
CE EN795:2012 Class B
- **Capacity**
1 user / 140 kg



Outrigger base can be rotated 90°

SAFRIG™ SYSTEM WITH COUNTERWEIGHT BASE 8560016

Increased versatility for use at other types of job sites

- **Base**
1.37m (4' 6") x 1.37m (4' 6")
Concrete base not included
- **Anchor Height**
6.1m (20')
- **Anchor Offset from Mast**
1.7m (5' 9")
- **Maximum Safe Working Radius**
4.72 m (15' 6")
- **Approved System Standards**
CE EN795:2012 Class B
- **Capacity**
1 user / 140 kg



OPTIONAL ACCESSORIES

Saflok™ Carabiner
2000113
30mm (1-3/16")

Tagline for SRL
7211857
7.6 m (25') tagline for self retracting lifeline,
5 mm (3/16") polypropylene rope with O-ring
at one end

Jack Leveling Kit
8530563



CAPITAL SAFETY, EMEA

5a Merse Road, North Moons Moat
Redditch, B98 9HL, UK
t: +44 (0) 1527 548 000 f: +44 (0) 1527 591 000

Le Broc Center, Z.I. 1re Avenue – BP15
06511 Carros Le Broc Cedex, FRANCE
t: +33 (0) 4 97 10 00 10 f: +33 (0) 4 93 08 79 70

00 800 999 55500

information@capitalsafety.com

capitalsafety.com